

SPECIFICATIONS

Material: APM RUBRGLAS™ (transparent silicone rubber), polymer type, ASTM D1418.

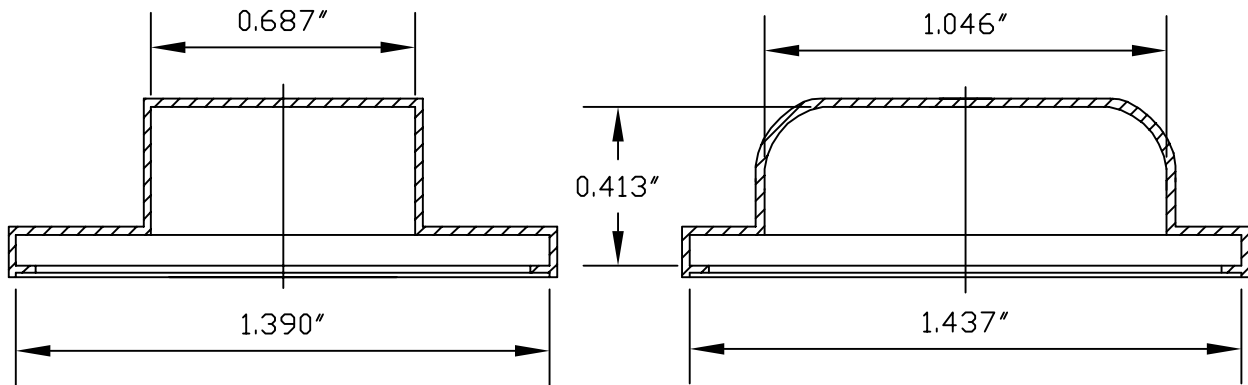
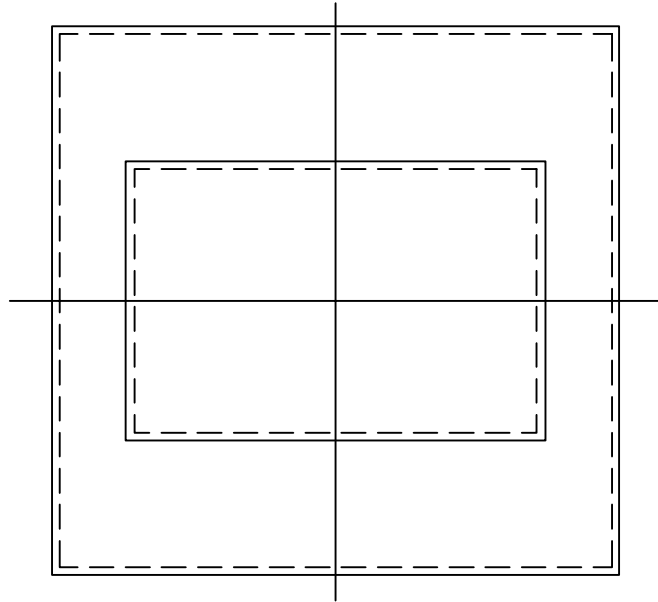
Temperature Range: -80°F to +400°F

Operational Life: 50,000 actuations (minimum).

Shelf Life: Excess of 25 years.

Resistant to: Salt spray, sunlight, ozone, weather, fungus, and most acids and lubricating oils

Agency Recognition: Rock-R-Seals™ are UL-listed to UL Std. 50, types 1,2, 4R, 5, 12, 12k, 13 and meet CSA standard



REV.	DESCRIPTION	DATE
B	CHANGED DWG # FROM C1113/75 to 1113/75, REVISED TITLE FOR ACCURACY	07.22.08
A	CAD COMPUTER GENERATED	10.23.02
TITLE: ROCKER BOOT FOR C.B 2POLE		ENG. S. GOK 07.22.08
APM-HEXSEAL CORPORATION		DWN. M.M. 02.21.86
SCALE 2:1		CHKD. J. CELLA 07.22.08
FINISH: TRANSPARENT		DWG. NO. 1113/75

THIS DRAWING COVERS PROPRIETARY ITEM AND IS THE PROPERTY OF THE APM-HEXSEAL CORPORATION. THIS DRAWING IS NOT TO BE COPIED OR USED WITHOUT THE WRITTEN APPROVAL OF AN OFFICER OF THE APM-HEXSEAL CORPORATION.